



Flexible solutions for
challenging cases



Angled Screw Channel Drivers

with square connection

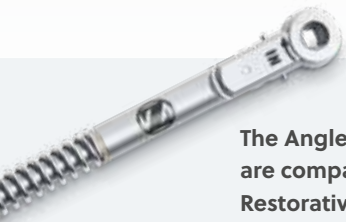


 **ZimVie**

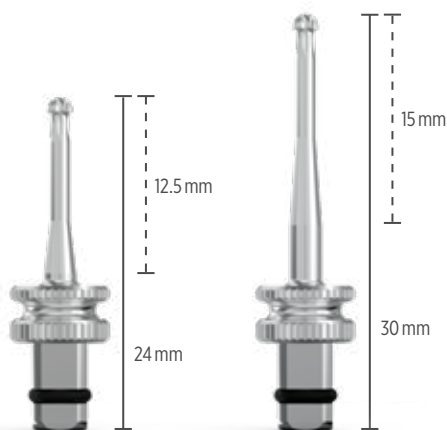
Versatile drivers to suit different clinical situations

The new TSV® Angled Screw Channel Drivers with square connection are compatible with the Torque Wrench Restorative (TWR). The screwdrivers feature a hexalobular design and are available in two different lengths to accommodate a wide range of different clinical cases.

Compatible with our GenTek™ Ti-Bases*, the drivers provide a flexible solution by offering the possibility to correct up to 25° for improved aesthetics in anterior cases and for better access in challenging inter-arch spaces.



The Angled Screw Channel Drivers are compatible with the Torque Wrench Restorative (TWR).



Ordering Information

Description	Part No.
TSV Angled Screw Channel Driver, 24 mm	TASCD24
TSV Angled Screw Channel Driver, 30mm	TASCD30

* Compatible with GenTek ASC

For more information, visit ZimVie.com

ZimVie
4555 Riverside Drive
Palm Beach Gardens, FL 33410
1-800-342-5454
dentalCS@ZimVie.com



www.implacom.nl | +31 (0)577 46 1927



Unless otherwise indicated, as referenced herein, all trademarks and intellectual property rights are the property of ZimVie Inc. or an affiliate; and all products are manufactured by one or more of the dental subsidiaries of ZimVie Inc. (Biomet 3i, LLC, Zimmer Dental, Inc., etc.) and marketed and distributed by ZimVie Dental and its authorized marketing partners. For additional product information, please refer to the individual product labeling or instructions for use. Product clearance and availability may be limited to certain countries/regions. This material is intended for clinicians only and does not comprise medical advice or recommendations. Distribution to any other recipient is prohibited. This material may not be copied or reprinted without the express written consent of ZimVie. ZV1632 REV A 09/23 ©2023 ZimVie. All rights reserved.

