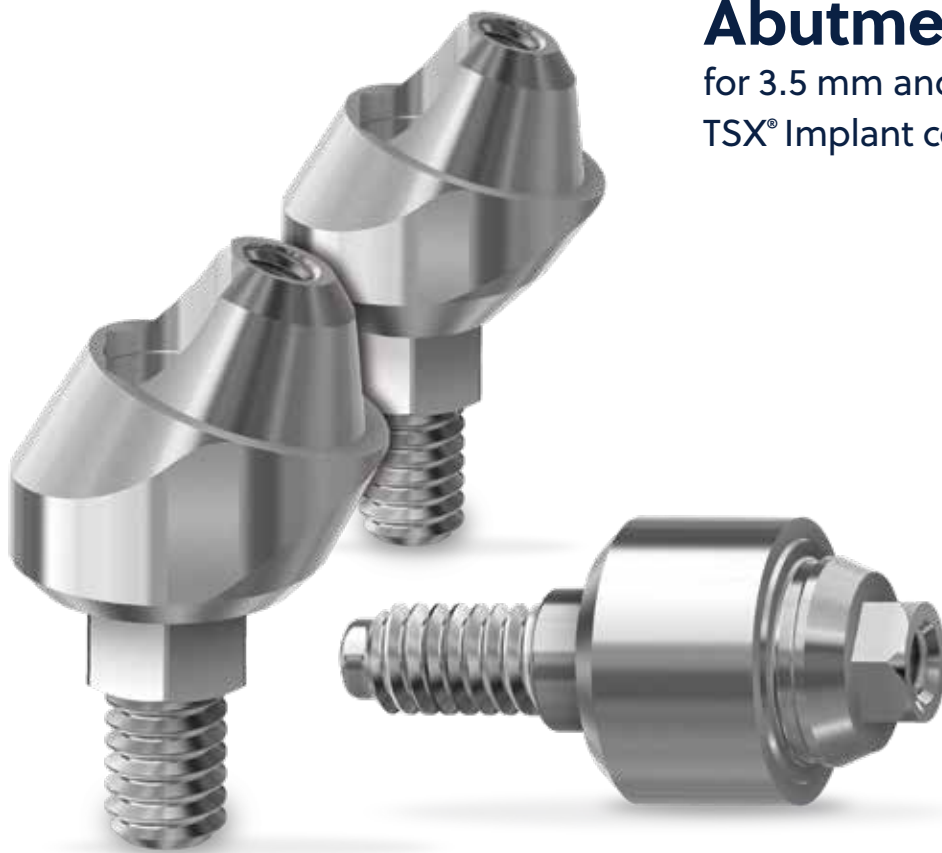




Stability and efficiency
in every case



Universal Multi-Unit Abutments

for 3.5 mm and 4.5 mm TSV® and
TSX® Implant connections

 **ZimVie**

ZimVie SURGICAL SOLUTIONS

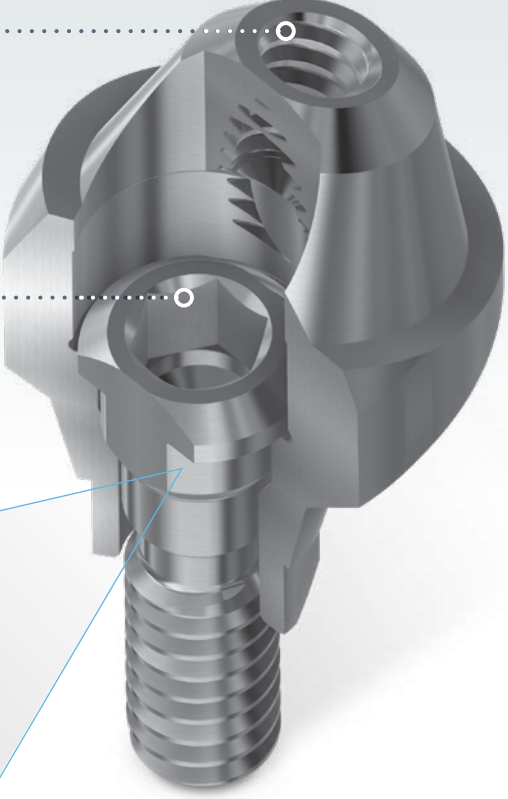


The Universal Multi-Unit Abutment

A complete solution with a digital workflow for screw retained restorations.

An extensive range of abutment angles and collar heights for TSV and TSX 3.5 mm and 4.5 mm implant connections make it the ideal choice for your clinical requirements.





A fully threaded connection in the cone means a safer and more stable prosthesis.

The vertical access allows you to tighten to a maximum torque of 30 Ncm avoiding screw loosening and improving the stability of the Multi-Unit Abutment.



A fully shaped connection provides more stability and the optimal fit between the abutment and the implant connection.

Simplicity and flexibility in your practice

4.8 mm restorative platform

Streamline your armamentarium and reduce your inventory requirements


2.2 mm restorative height

Create functional aesthetic restorations in limited interarch spaces, even when angle correction is necessary

17° and 30° angled abutments

Provide angulation correction for off-axis implant placement



 All our Multi-Unit Abutments include a carrier allowing you to easily place and position the abutment.

Universal Ti-Base available in multiple gingival heights giving you more options in treatment planning.

Improved retention up to 500%

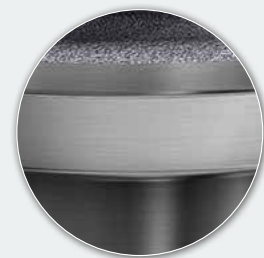
A unique, patented, sandblasted treatment improves the retention levels of the cemented prosthesis.

Without treatment, the load that can be supported before the bond between the superstructure and Ti-Base breaks is much lower.

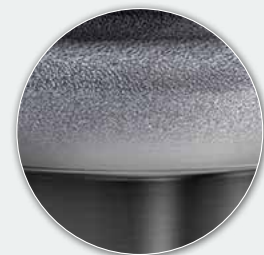
In-house sandblasting means more chair time and if it is not performed properly (below the collar), it can increase the risk of gingivitis.



■ With surface treatment
■ Without surface treatment



Pretreated



In-house



The Universal Advantage

Compliment your digital workflow.

Implant Analog

Implant Analogs can be used in both stone or 3D printed models for cases using TSV or TSX.



Scan Body and Impression Coping

Use the Universal Scan Body to work on your CAD/CAM System or take the impression with the Universal Impression Transfers for Multi-Unit Abutments (closed or open tray).



OverdenSURE® Attachment

Transform a fixed prosthesis into a removable overdenture with our OverdenSURE Universal Attachment.

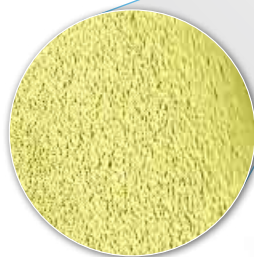




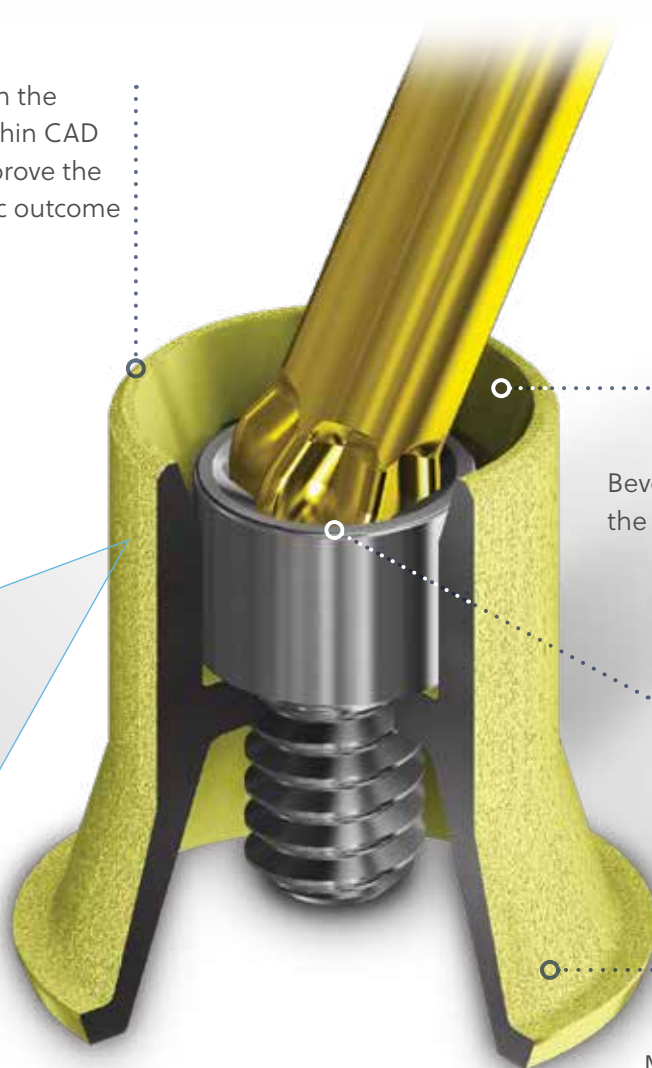
Universal Angulated Screw Channel Ti-Base

Allows you to access limited spaces.

Up to 30% reduction in the emergence design within CAD libraries to further improve the flexibility and aesthetic outcome



Cement shaft with a unique patented surface treatment for optimal crown retention



Beveled edge optimizes the driver angulation

The angulated Ti-Base screw and driver allows for up to 25° angulation with the recommended torque

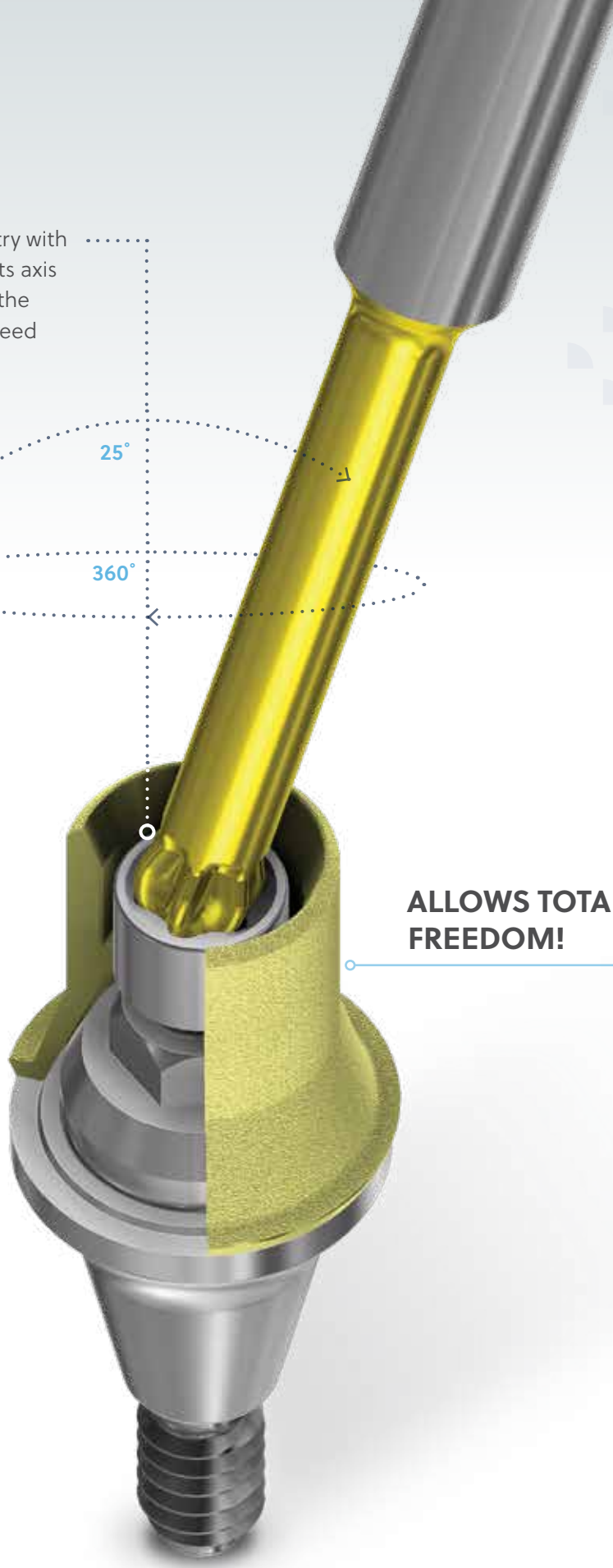
Made of Titanium Grade V ELI with a gold anodized surface finish



Additional 25° entry with
360° rotation on its axis
allows you to get the
exact angle you need



**ALLOWS TOTAL
FREEDOM!**



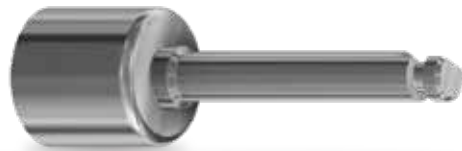


Universal Multi-Unit Overview



Place straight Multi-Units by hand and snap the carrier out.

Use the Multi-Unit Driver (UMUA-D) with a manual Torque Wrench (TWR) or the manual Low-Torque Indicating Ratchet Wrench (L-TIRW) and ISO Latch 4x4 Adapter (ISO4X4A) to tighten the straight Multi-Unit Abutment with a recommended torque of 30 Ncm.

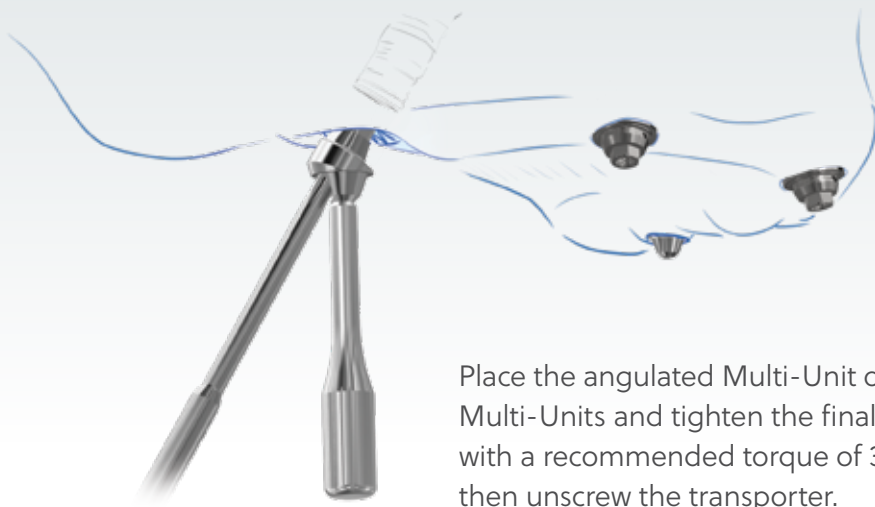


ISO LATCH, 4X4 DRIVER: ISO4X4A



MULTI-UNIT DRIVER: UMUA-D



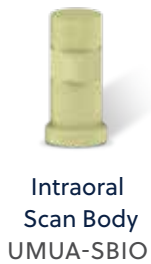


Place the angulated Multi-Unit or Multi-Units and tighten the final screw with a recommended torque of 30 Ncm, then unscrew the transporter.

Use the Universal Scan Bodies to work with RealGUIDE® or take the impression using our impression transfers (closed or open tray).



Desktop
Scan Body
UMUA-SBDT



Intraoral
Scan Body
UMUA-SBIO



Impression
Coping
UMUA-OTIC

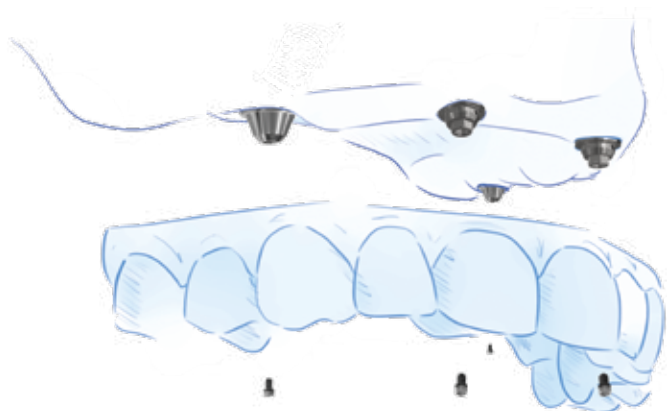


Impression
Coping
UMUA-CTICL

Insert fixed prosthesis and tighten the prosthetic screws by alternating left and right side.

Finally tighten the prosthetic screws at a maximum of 15 Ncm.

Close the chimney with temporary material.





Universal Multi-Unit System Overview

Ordering Information

Universal Straight Abutment

Non-engaging, does not engage in the internal hex connection.
Not for use in single-unit restorations.

TSV and TSX Implant Systems		
Collar Height	Ø3.5 mm	Ø4.5 mm
1.0 mm	UMUA-TSV351	UMUA-TSV451
2.0 mm	UMUA-TSV352	UMUA-TSV452
3.0 mm	UMUA-TSV353	UMUA-TSV453
4.0 mm	UMUA-TSV354	UMUA-TSV454
5.0 mm	UMUA-TSV355	UMUA-TSV455



Universal Angled Abutment, 17°

Engaging in implant, not for use in single-unit restorations (incl. preassembled retaining screw)

TSV and TSX Implant Systems		
Collar Height	Ø3.5 mm	Ø4.5 mm
2.5 mm	UMUA-TSV3525-17	UMUA-TSV4525-17
3.5 mm	UMUA-TSV3535-17	UMUA-TSV4535-17



Universal Angled Abutment, 30°

Engaging in implant, not for use in single-unit restorations (incl. preassembled retaining screw)

TSV and TSX Implant Systems		
Collar Height	Ø3.5 mm	Ø4.5 mm
3.5 mm	UMUA-TSV3535-30	UMUA-TSV4535-30
4.5 mm	UMUA-TSV3545-30	UMUA-TSV4545-30



The Universal Solution

Universal Components	Description
Implant Analog	UMUA-A
Digital Implant Analog (0.050" screw hex)	UMUA-DA
Intraoral Scan Body	UMUA-SBIO
Ti-Base Scan Body, Qty 5	UMUA-SBTB5
Desktop Scan Body (0.050" screw hex)	UMUA-SBDT
Multi-Unit Ti-Base, 6 mm(H) (0.050" screw hex)	UMUA-TTS
Multi-Unit Ti-Base, 8 mm(H) (0.050" screw hex)	UMUA-TTL
Angulated Screw Channel Ti-Base	UMUA-ASCT
Multi-Unit Screw (0.050" screw hex)	UMUA-S
Angulated Screw Channel Ti-Base Screw	UMUA-ASCTS
Impression Coping	UMUA-OTIC
Impression Coping, 5 mm(H), Qty 1	UMUA-CTICS
Impression Coping, 5 mm(H), Qty 4	UMUA-CTICS4
Impression Coping, 8 mm(H), Qty 1	UMUA-CTICL
Impression Coping, 8 mm(H), Qty 4	UMUA-CTICL4
Healing Cap (0.050" screw hex)	UMUA-HC
Temporary Cylinder	UMUA-TC
OverdenSURE Attachment	UMUA-ODS



Universal Tools	Description
Multi-Unit Driver	UMUA-D
ISO Latch, 4x4 Driver	ISO4X4A
Angulated Screw Channel Screwdriver, 24 mm(L)	ASC-SD24
Angulated Screw Channel Screwdriver, 30 mm(L)	ASC-SD30



For more information, visit [ZimVie.eu](https://www.zimvie.eu)

ZimVie Global Headquarters
4555 Riverside Drive
Palm Beach Gardens, FL 33410
Phone: +1-561-776-6700
Fax: +1-561-776-1272
dentalCS@ZimVie.com



www.implacom.nl | +31 (0)577 46 1927



Medical device classes: Abutments, Ti-Bases, and Screws (Class IIb), Tools, Analogs, and Scan Body (Class I).

Unless otherwise indicated, as referenced herein, all trademarks are the property of ZimVie; and all products are manufactured by one or more of the dental subsidiaries of ZimVie Inc. (Biomet 3i, LLC, Zimmer Dental Inc., etc.) and marketed and distributed by ZimVie and its authorized marketing partners. Universal Multi-unit abutments, components and tools are manufactured by Terrats Medical S.L. For additional product information, please refer to the individual product labeling or instructions for use. Product clearance and availability may be limited to certain countries/regions. This material is intended for clinicians use only and does not comprise medical advice or recommendations. Distribution to any other recipient is prohibited. This material may not be copied or reprinted without the express written consent of ZimVie. ZV0858 REV B 07/24 ©2024 ZimVie. All rights reserved.

CE
0051

