



Efficient. Flexible.
Genuine.



GenTek™

Angulated Screw Channel TiBases

Tapered Screw-Vent®, Trabecular Metal and Eztetic®



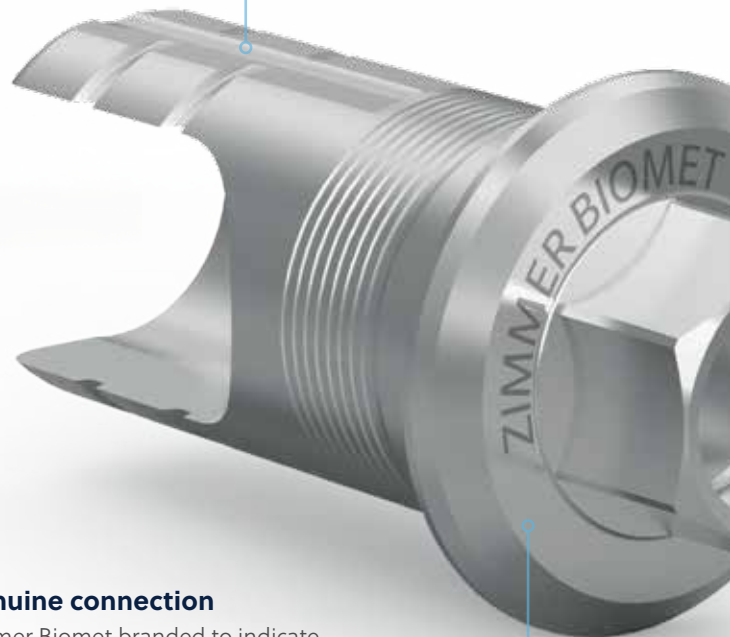
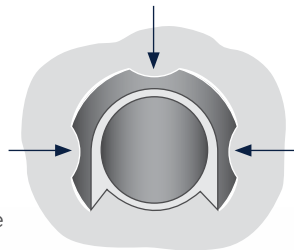
GenTek Angulated Screw Channel TiBases

Aimed at restorative flexibility, efficiency, and strength

The genuine connection TiBase for ZimVie Dental's Implant systems Eztetic, TSV®, and Trabecular Metal, now for angled screw access channel restorations. Aimed at achieving efficiency in your CAD/CAM restoration workflow with a singular TiBase that provides flexibility of channel angulation and adjustable post height options.

Anti-rotation feature

Three continuous anti-rotation notches over the entire length of the post, aims to ensure rotational movement of the crown to TiBase.



Genuine connection

Zimmer Biomet branded to indicate a genuine connection. Look for the "Zimmer Biomet" marking at the base of the TiBases to verify authenticity.

3shape

exocad

dental wings

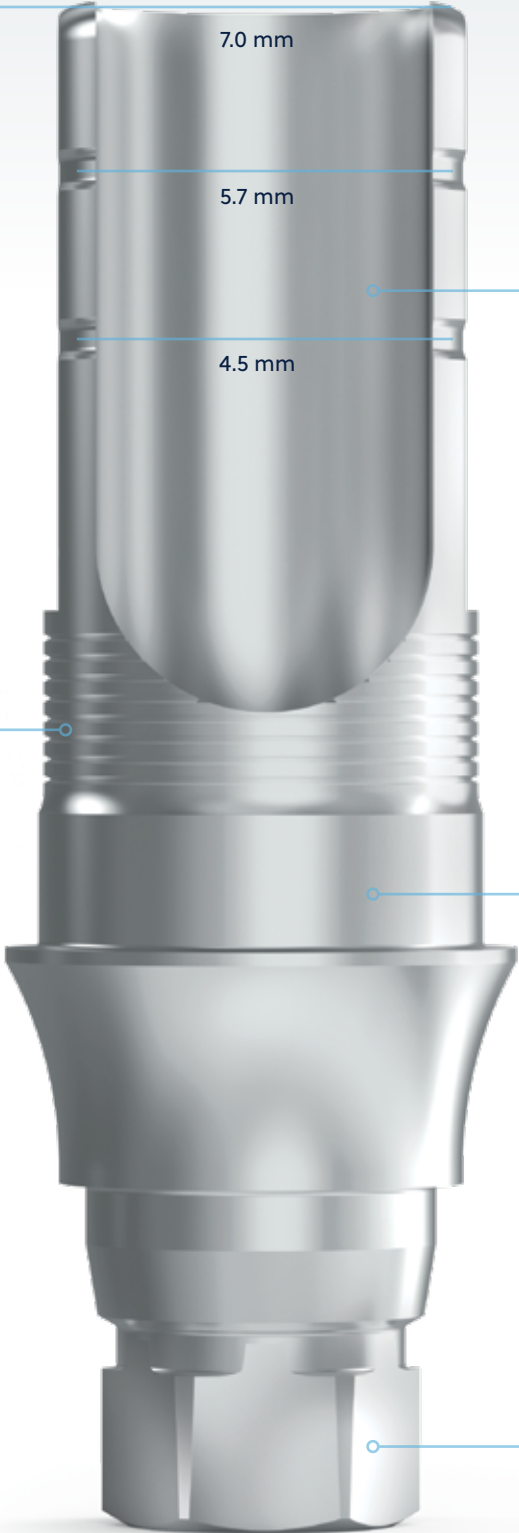


Libraries for the restorative components are available for Zfx CAD, exocad, 3Shape and Dentalwings CAD software. Free download at zfx-dental.com



Flexible post height for the body

Singular TiBase provide various post height options to facilitate individualised solutions. Post Heights: 4.5 mm, 5.7 mm, 7.0 mm



Retention grooves

for simplified cementation.

Screw channel slot

for angled driver access up to 25°.

Connections

Available for ZimVie Dental's implant systems Eztetic, TSV, and Trabecular Metal.

Multi-unit cases unlocked

GenTek Angulated Screw Channel TiBases are also available for multi-unit cases. The non-engaging connection allows for the freedom of rotation suitable for making multi-unit bridges.



TiBases are packaged with a GenTek Gluing Screw.





Enabled angles for versatility²

Position the angled screw channel anywhere from 0 to 25° for improved aesthetics in anterior cases and for better access in challenging inter-arch spaces.



Hexalobular screwdriver is available in three different lengths (21 mm, 28 mm, 36 mm). The hexalobular design allows the universal use with all GenTek screws.

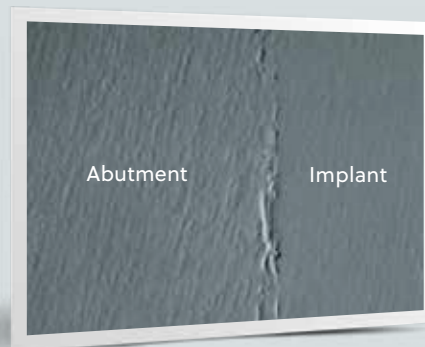
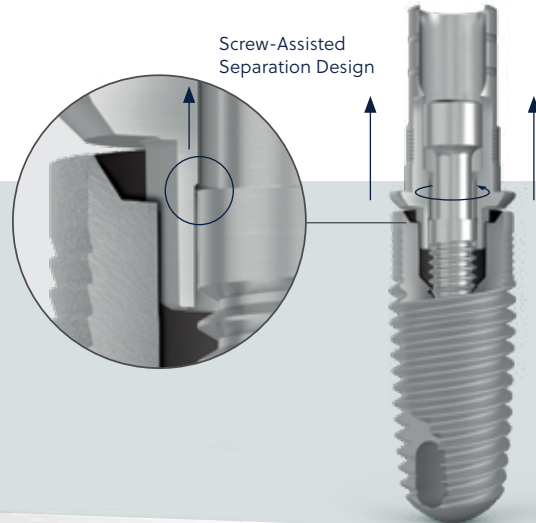
Hexalobular screwdrivers and screws

Screwdrivers now feature a hexalobular design to allow for universal use, regardless of ZimVie Dental Implant connection. Screwdrivers are available in 3 different lengths, to accommodate a wide range of cases, and included a designed in groove for dental silicon ring placement for easy length identification.³ Screws now contain a new hexalobe design to be used in conjunction with the drivers.⁴



NEW, patent-pending Screw-Assisted Separation Design, containing Friction-Fit™ Technology for TSV, Trabecular Metal and Eztetic Implant Systems

- The new design maintains our Friction-Fit technology, without the required use of an additional abutment removal tool, on angulated prosthetic solutions.
- The new screw assists in releasing the friction between the TiBase and the implant during the unscrewing processes.



Friction-Fit Technology

SEM at 150X magnification displays the mechanical interlock in the hexagonal engagement area between the flats of the implant and abutment.

² Engaging TiBase: position of the channel is limited by the internal hex, every 30°.

³ For multi-unit, no restrictions.

³ Silicone rings not provided and not sold by ZimVie Dental.

⁴ Hexalobular screws are required for the ASC solutions.

Your Digital Journey

Productive, Protective, and Proven

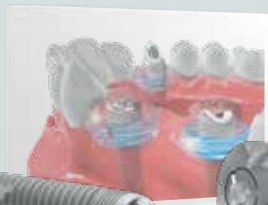
ZimVie offers an innovative, complete digital solution that provides clinicians and dental technicians with a more productive, protective, and proven technical process than ever before. The digital CAD/CAM process is facilitated through our distinct 3-in-1 Encode® Healing Abutment.

3-in-1

Healing Abutment,
Impression Coping,
Scanbody



1
Place a ZimVie Dental Implant with an Encode Healing Abutment.



2
After tissue maturation, take a digital or traditional impression of the Encode Healing Abutment and send it to your preferred lab partner.



5
The finished prosthesis is ready to be placed.



3
The laboratory decodes the scan data into open STL files using the Zfx Converter and proceeds with the design of the final prosthesis.



4
The patient-specific abutment and crown will be manufactured with restorative components, including GenTek Analogs in a 3D printed model.

To order genuine ZimVie Dental Components
call your local representative or send an email to
dentalCS@ZimVie.com



www.implacom.nl | +31 (0)577 46 1927

ZimVie Dental Global Headquarters

4555 Riverside Drive
Palm Beach Gardens, FL 33410
Phone: +1-561-776-6700
Fax: +1-561-776-1272
www.ZimVie.com/dental



Unless otherwise indicated, as referenced herein, all trademarks and intellectual property rights are the property of ZimVie Inc. or an affiliate; and all products are manufactured by one or more of the dental subsidiaries of ZimVie Inc. (Biomet 3i, LLC, Zimmer Dental, Inc., etc.) and marketed and distributed by ZimVie Dental and its authorized marketing partners. For additional product information, please refer to the individual product labeling or instructions for use. Product clearance and availability may be limited to certain countries/regions. This material is intended for clinicians only and does not comprise medical advice or recommendations. Distribution to any other recipient is prohibited. This material may not be copied or reprinted without the express written consent of ZimVie.

ZV0214 REV A 06/22 ©2022 ZimVie. All rights reserved.

